

## Plastic-Encapsulate Diodes

Schottky Barrier Diode

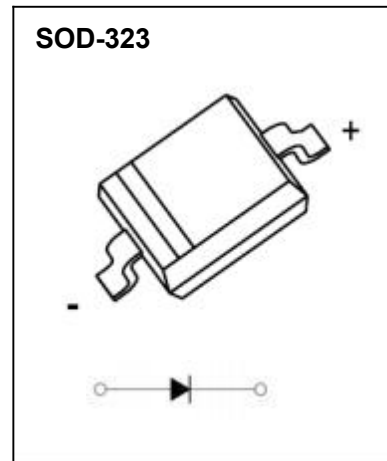
### FEATURES

- ⌘ Small Surface Mounting Type
- ⌘ Low  $V_F$  and  $I_R$
- ⌘ High Reliability

### APPLICATIONS

- ⌘ General Rectification

**MARKING: SS**



The marking bar indicates the cathode

### MAXIMUM RATINGS ( $T_a = 25^\circ\text{C}$ unless otherwise noted )

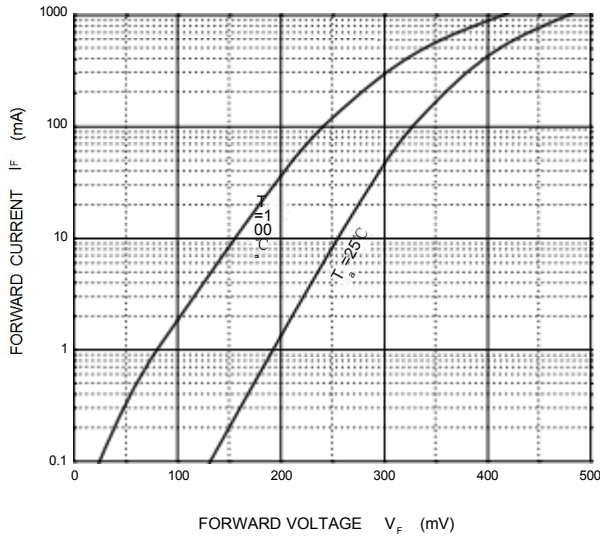
Symbol	Parameter	Value	Unit
$V_{RM}$	Non-Repetitive Peak Reverse Voltage	40	V
$I_o$	Continuous Forward Current	1	A
$I_{FSM}$	Non-repetitive Peak Forward Surge Current@ $t=8.3\text{ms}$	3	A
$P_D$	Power Dissipation	200	mW
$R_{\theta JA}$	Thermal Resistance From Junction To Ambient	500	$^\circ\text{C}/\text{W}$
$T_j$	Junction Temperature	125	$^\circ\text{C}$
$T_{stg}$	Storage Temperature	-55~+150	$^\circ\text{C}$

### ELECTRICAL CHARACTERISTICS( $T_a=25^\circ\text{C}$ unless otherwise specified)

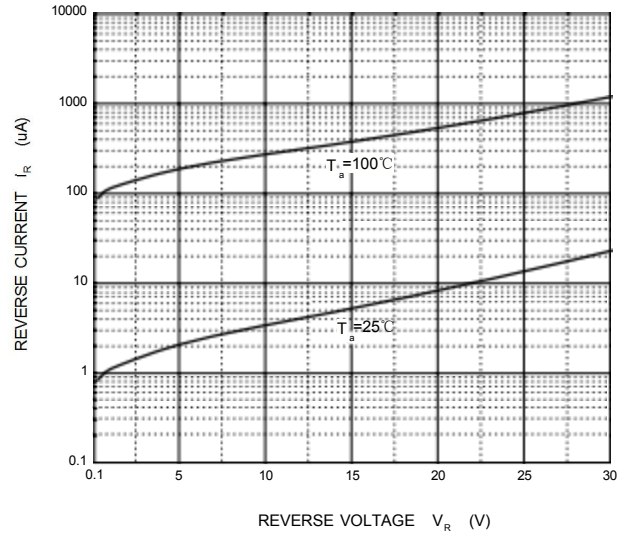
Parameter	Symbol	Test conditions	Min	Typ	Max	Unit
Reverse voltage	$V_{(BR)}$	$I_R=1\text{mA}$	40			V
Reverse current	$I_R$	$V_R=10\text{V}$			0.03	mA
Forward voltage	$V_F$	$I_F=700\text{mA}$			0.49	V
		$I_F=1\text{A}$			0.56	

## Typical Characteristics

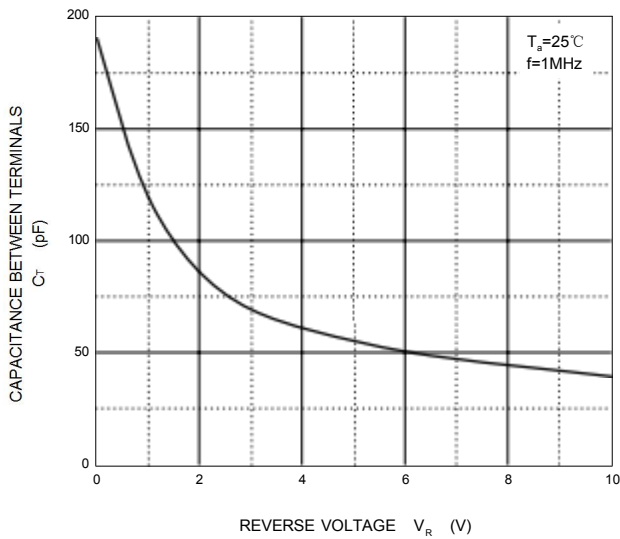
**Forward Characteristics**



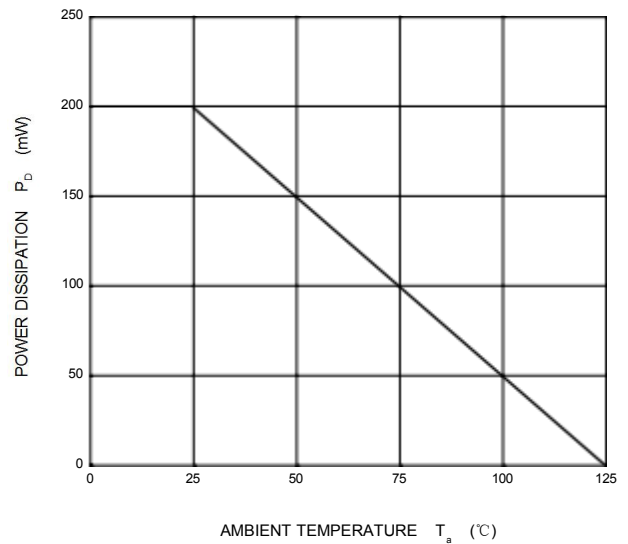
**Reverse Characteristics**



**Capacitance Characteristics**



**Power Derating Curve**

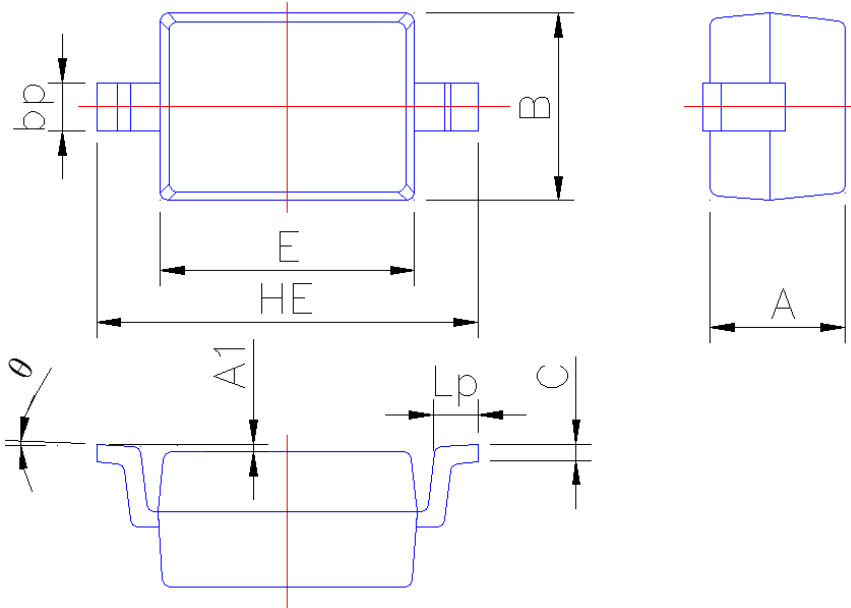




**PACKAGE OUTLINE**

Plastic surface mounted package; 2 leads

SOD-323



Symbol	Dimension in Millimeters	
	Min	Max
A	0.95	1.15
A1	0.010	0.100
B	1.20	1.40
bp	0.25	0.40
C	0.09	0.150
E	1.60	1.80
HE	2.30	2.70
Lp	0.20	0.40
θ	0°	5°